

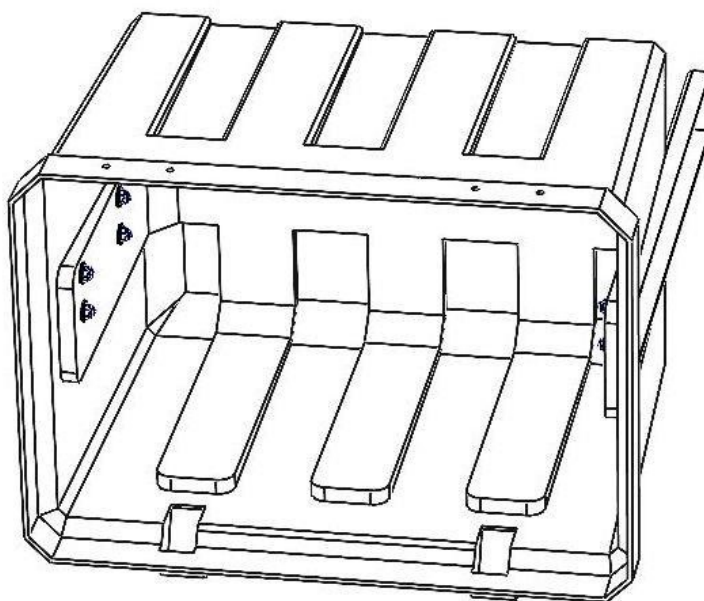
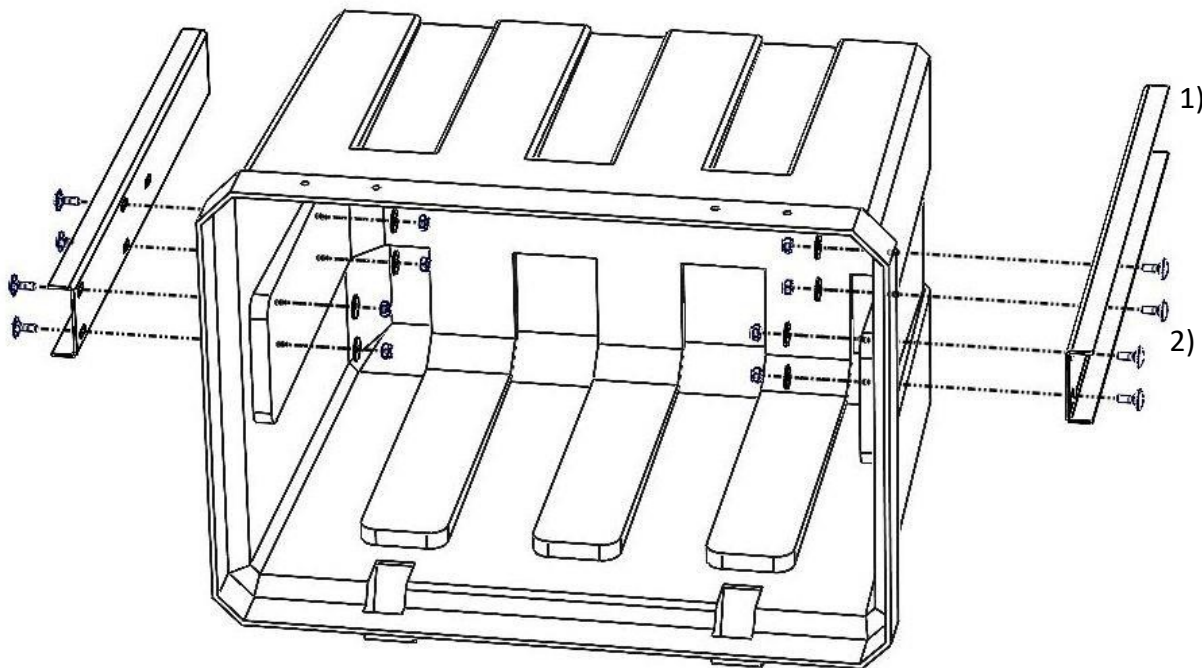
INSTALLATION INSTRUCTIONS




102812 Installation kit SL2 (horizontal) for

100451 Toolbox 550x450x450

100453 Toolbox 700x300x300 L

100451 Toolbox 550x450x450



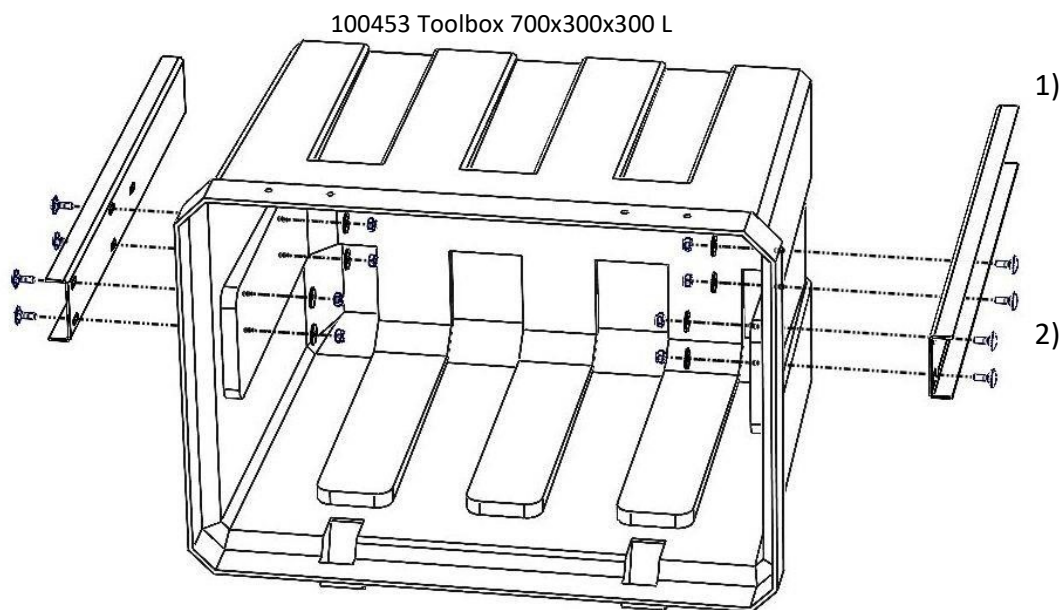
Pos	Qty	Part	
1	2 x	U-profile 470mm	
2	8 x		Square Neck Bolt M6x16
2	8 x		Nut Nyloc M6
2	8 x		Washer M6x18

INSTALLATION INSTRUCTIONS

102812 Installation kit SL2 (horizontal) for

100451 Toolbox 550x450x450

100453 Toolbox 700x300x300 L



Pos	Qty	Part	
1	2 x	U-profile 470mm	
2	8 x		Square Neck Bolt M6x16
2	8 x		Nut Nyloc M6
2	8 x		Washer M6x18

